

PRODUCT INFORMATION PACKET



Model No: 5KC49GN0022X

Catalog No: 5KC49GN0022X

General Purpose Motor, 0.50 HP, 1 Ph, 60 Hz, 115/208-230 V, 1800 RPM, 56 Frame, DP



Regal and Leeson are trademarks of Regal Rexnord Corporation or one of its affiliated companies.

©2024 Regal Rexnord Corporation, All Rights Reserved. MC017097E





Nameplate Specifications

Phase	1	Output HP	0.50 Hp
Output KW	0.37 kW	Voltage	115/208-230 V
Speed	1725 rpm	Service Factor	1.25
Frame	56	Enclosure	Drip Proof
Thermal Protection	Automatic	Efficiency	52.5 %
Ambient Temperature	40 °C	Frequency	60 Hz
Current	8.6,4.1-4.3 A	Power Factor	0
Duty	Continuous	Insulation Class	B
KVA Code	K	Drive End Bearing Size	6203
Opp Drive End Bearing Size	6203	UL	Recognized
CSA	Yes	CE	N
Number of Speeds	1		

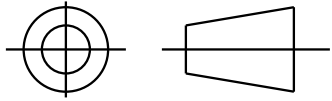
Technical Specifications

Electrical Type	Capacitor Start Induction Run	Starting Method	SM
Poles	4	Rotation	Counterclockwise/Clockwise
Mounting	Resilient Base	Motor Orientation	ANY
Drive End Bearing	BALL	Opp Drive End Bearing	Ball
Frame Material	Rolled Steel	Overall Length	10.38 in
Frame Length	6.15 in	Shaft Diameter	0.630 in
Shaft Extension	1.88 in		
Outline Drawing	52A107737P7	Connection Drawing	52A105383AA

This is an uncontrolled document once printed or downloaded and is subject to change without notice. Date Created:09/18/2024

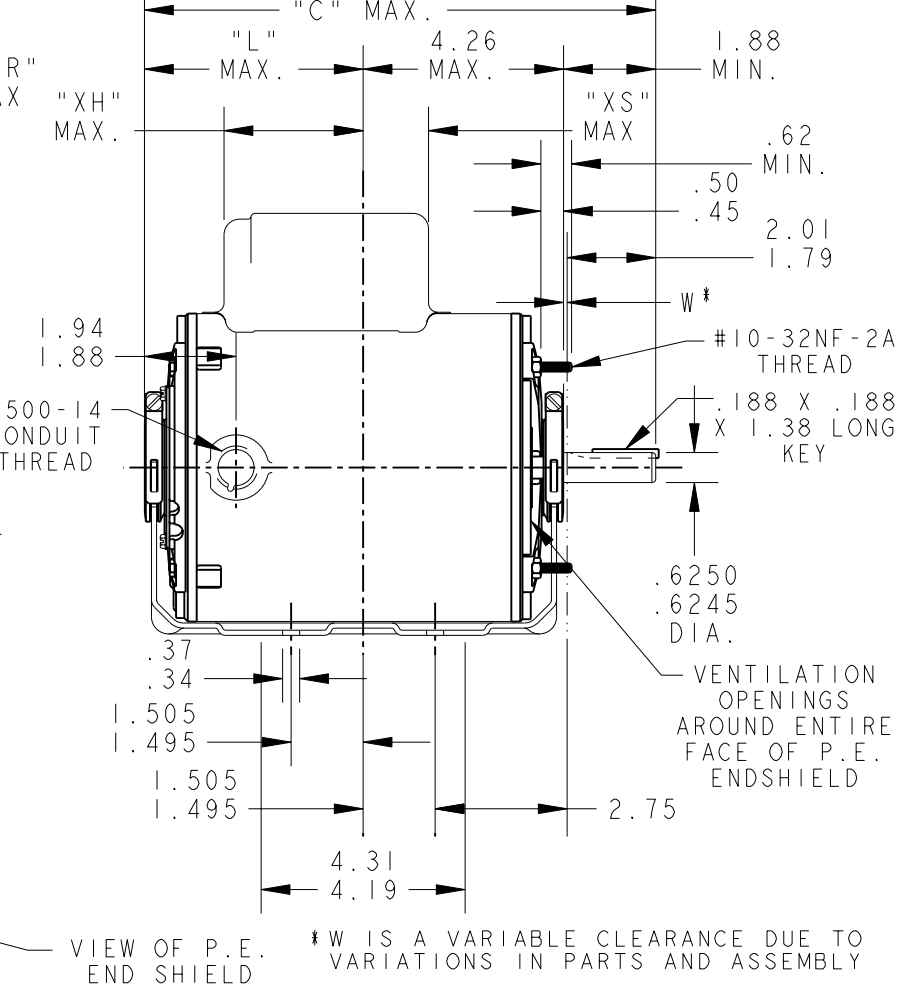
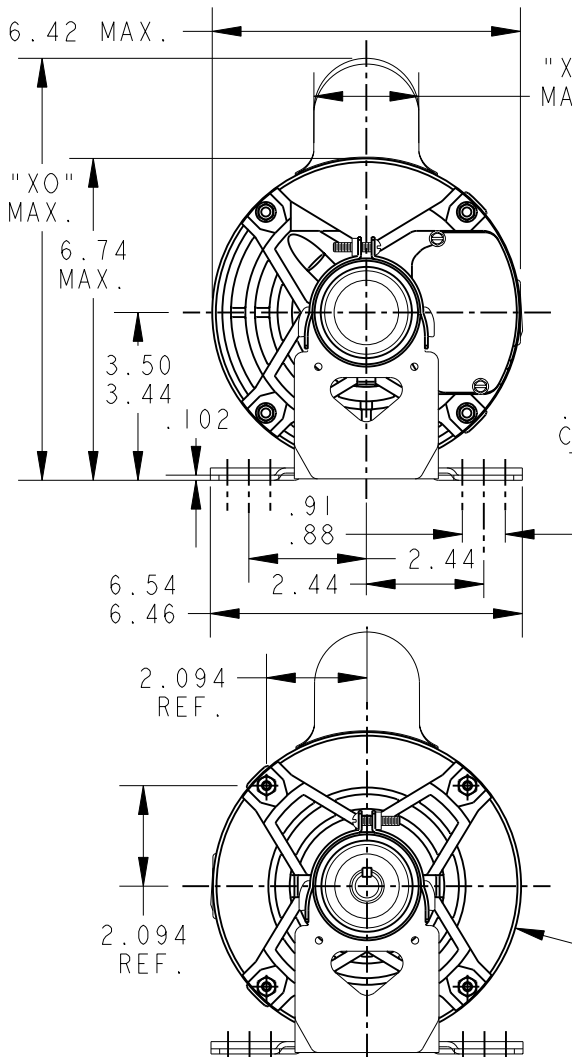
SHEET
REV
52A107737 7
SIZE DRAWING NO.
A

THIRD ANGLE PROJECTION



REVISIONS

REV.	DESCRIPTION	DATE	APPROVED
7	UPDATED PT# 10 PER ISAAC 06-0996	05/17/06	PRAVEEN.K




VIEW OF P.E. END SHIELD *W IS A VARIABLE CLEARANCE DUE TO VARIATIONS IN PARTS AND ASSEMBLY

ALL DIMENSIONS ARE IN INCHES

10	KC	49	56	10.38	4.22	2.72	8.84	2.22	2.72	6.15
9	KC	48	56	12.66	6.50	3.40	8.22	1.60	2.29	8.43
8	KC	46	56	10.78	4.62	2.44	8.84	2.22	2.10	6.55
7	KC	49	56	10.38	4.22	2.63	8.22	1.60	1.91	6.15
6	KC	49	56	11.38	5.22	3.63	8.22	1.60	2.12	7.15
5	KC	46	56	10.78	4.62	3.03	8.22	1.60	1.51	6.55
4	KC	42	56	9.95	3.79	2.20	8.22	1.60	2.34	5.72
3	KC	49	56	11.38	5.22	3.63	8.94	2.40	2.12	7.15
2	KC	42	56	9.95	3.79	2.20	8.84	2.22	2.34	5.72
1	KC	46	56	10.78	4.62	3.03	8.84	2.22	1.51	6.55
P	TYPE	GE SIZE	NEMA FR.	"C"	"L"	"XH"	"XO"	"XR"	"XS"	MIN. SHELL

SIGNATURES		DATE
MODEL	M.D.PAPE	10/10/91
DETAIL	.	.
CHECKED	.	.
ENGRG	.	.
MFG	.	.
QUALITY	.	.
ISSUED	M.D.PAPE	05/17/99
SOLID MODEL: 52A107737		



REGAL-BELOIT CORPORATION

TITLE
OUTLINE

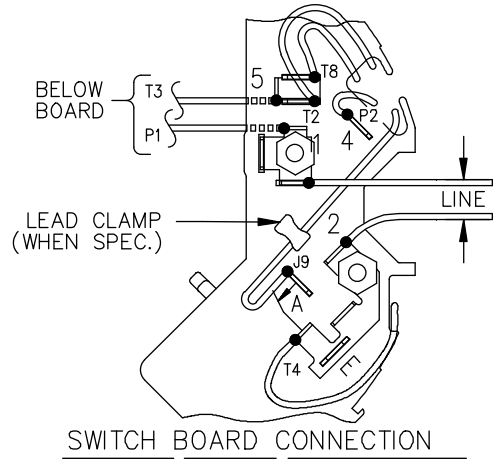
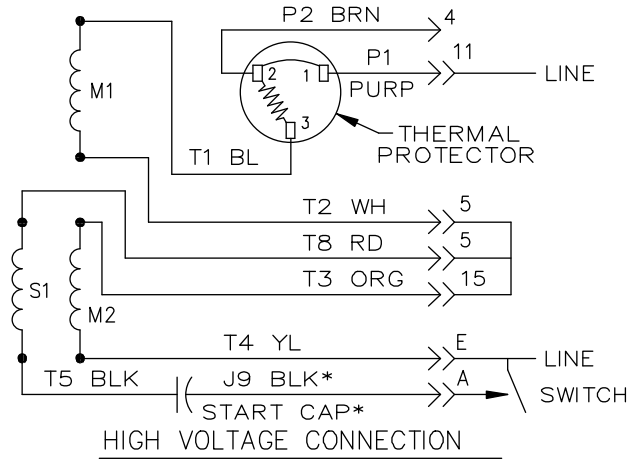
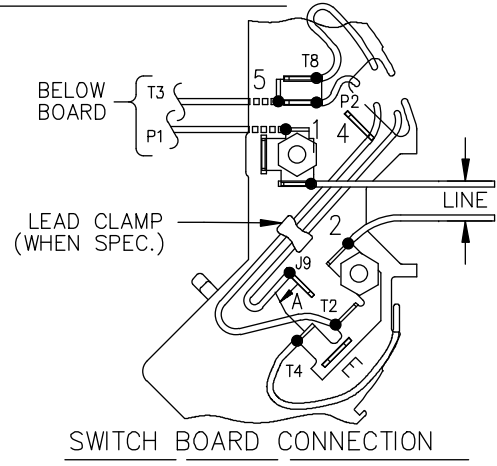
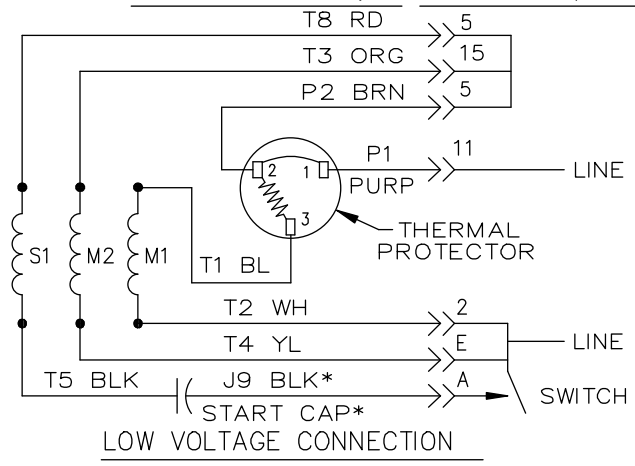
GENERAL PURPOSE MOTOR DRIP PROOF - BALL BEARING
- RESILIENT BASE EXTENDED CLAMP SCREWS FMF - 40 FRAME REDESIGN (5K42GN0022X)

SIZE DRAWING
A

SCALE: 0.250 REF. No: . SHEET 1 of 1

52A107737 7

EITHER ROTATION, DUAL VOLTAGE, TYPE KC OR KH, WITH THERMAL PROTECTION



NOTE #1 - START CAP & J9 WHEN SPECIFIED (*). IF NO CAPACITOR (KH), CONNECT T5 DIRECTLY TO SWITCH (A). WHEN MORE THAN ONE CAPACITOR IS USED, CONNECT IN PARALLEL.

NOTE #2 - TO REVERSE ROTATION, INTER CHANGE RD(T8) AND BLK(J9-KC OR T5-KH) LEADS.

SWITCH REF. - 115D958AB	CONNECTION LABEL	CCW ROTATION: NP52X332051AA
		CW ROTATION: NP52X332051AC

NO.	REVISION	BY & DATE	CHK	TOLERANCES UNLESS SPECIFIED		FINISH	DRAWN M.D.P 06/29/87		
				DEC.	INCHES				
				.X	±0.1	REGAL-BELOIT CORPORATION TITLE CONNECTION DIAGRAM 30 FRAME SWITCH REDESIGN	CHK		
				.XX	±0.02		APPD M.D.P 03/26/96		
5	ADDED CONNECTION LABEL PER ECO-0030779	UD 02/06/13	PKG	.XXX	±0.005	MAT'L.	SCALE 1=1		
4	UPDATED PER ISO7-0150	MD 01/23/07		.XXXX	±0.0005		REF		
				ANG	±1.0	PREV			
THIS DRAWING IN DESIGN AND DETAIL IS OUR PROPERTY AND MUST NOT BE USED EXCEPT IN CONNECTION WITH OUR WORK. ALL RIGHTS OF DESIGN AND INVENTION ARE RESERVED. THIS IS AN ELECTRONICALLY GENERATED DOCUMENT - DO NOT SCALE THIS PRINT				RFP	CAD FILE	52A105383AA	SIZE A	DRAWING NO. 52A105383AA	REV. 5
				DIST					